

GP Batteries

PRODUCT SPECIFICATION

**GP Portable PowerBank
Model : B05B**

Revision History

Revision	Date	Initiator	Reason for Change
0.0	31 Jul 2022	CC Li	Draft Release

Prepared By	Approved By
CC Li	Joyce Tse
Date: 31 Jul 2024	Date: 31 Jul 2024



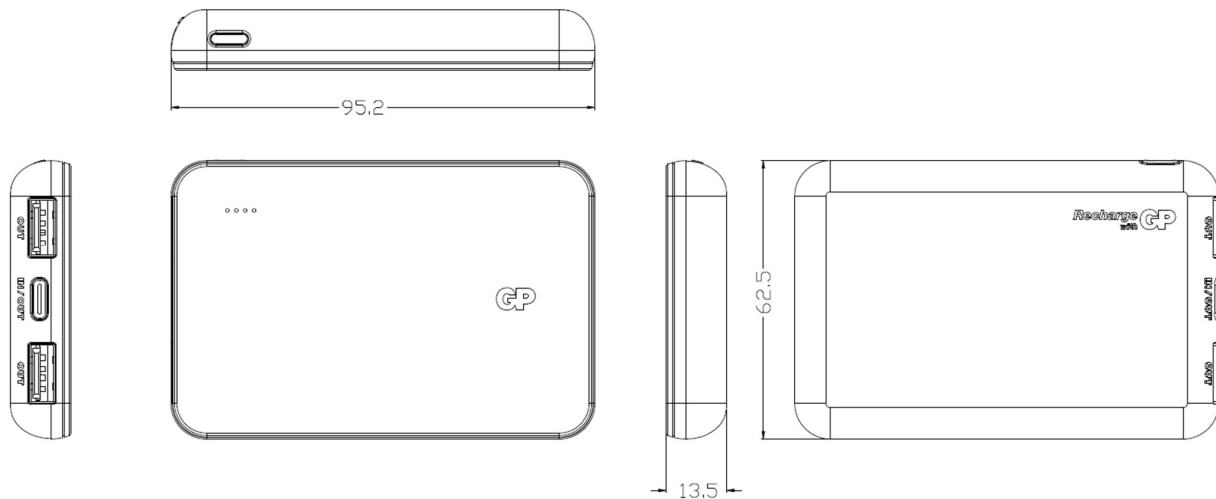
Member
Gold Peak Group

Manufacturer reserves the right to alter or amend the design, model and specification without prior notice.

GP Batteries

Product Specification

Model no.: B05B



Product Name	: GP Portable PowerBank B05B
Description	: Back up power for USB powered electronic devices (e.g. smartphones, tablet PCs)
Battery Rating	: Lithium Polymer 3.7V 5000mAh 18.5Wh
Input	: [USB-C] DC 5V/2.4A
Output	: [USB-C] DC 5V/2.4A [USB-A1] or [USB-A2] DC 5V/2.4A [USB-A1 + USB-A2] DC 5V/2.4A [USB-C + USB-A1 + USB-A2] DC 5V/2.4A
Application	: Charge mobile and electronic devices with USB input
Recharging Time	: Approx. 3 hours by 5V/3A via USB-C port
Operation Temperature	: 5°C to 35°C



Member
Gold Peak Group

Manufacturer reserves the right to alter or amend the design, model and specification without prior notice.

GP Batteries

Product Specification

Model no.: B05B

Safety protection : 1) Over voltage protection
2) Under voltage protection
3) Over charging protection
4) Over discharging protection
5) Over current protection
6) Short circuit protection
7) Over & under temperature protection
8) Loop back protection

LED Indication : **Charging & Discharging the Portable PowerBank**

Table 1

Charging & Discharging Condition	LED Indicator
Charging	Last LED flashing
Discharging	Refer to battery status (Table 2)
Fully charged	All LEDs On

Press button to show battery status :

Table 2

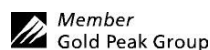
Battery Strength	LED indicator
Good	Four LED on
Good to average	First Three LED on
Average	First Two LED on
Weak	One LED on
Very Weak	One LED Flash
No Power	No LED

Dimensions : 95.2 (L) x 62.5 (W) x 13.5 (H) mm +/-0.5mm

Weight : 116g +/- 10g

Certification : CE, UKCA, RoHS, UN38.3, IEC62133, IEC62368

Warranty Period : 12 months from ex-factory date



Manufacturer reserves the right to alter or amend the design, model and specification without prior notice.