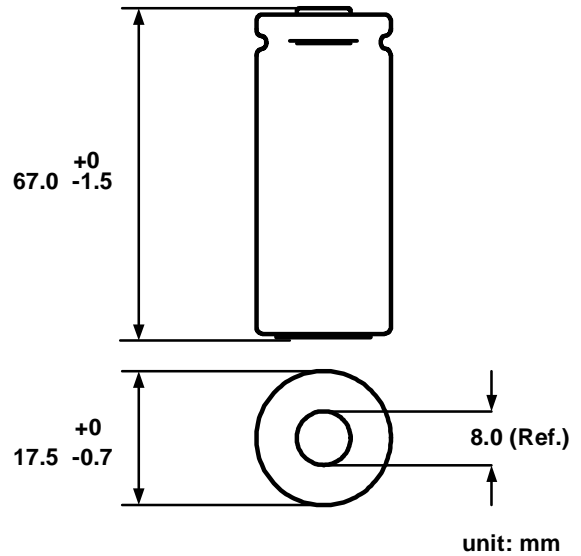
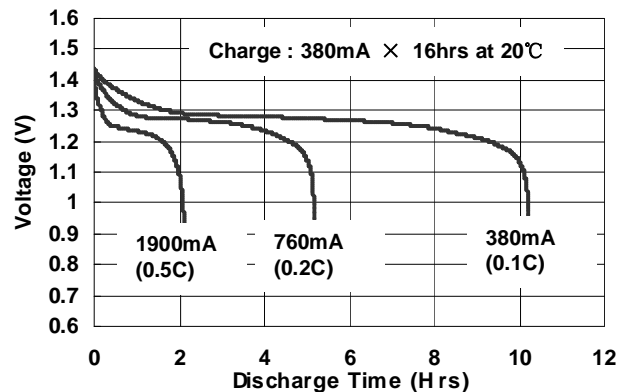


Type	: Rechargeable Nickel Metal Hydride Cylindrical Cell
Nominal Dimension (with Sleeve)	: $\Phi = 17.5\text{mm}$ H = 67.0mm
Applications	: Recommended discharge current: 380mA to 11400mA
Nominal Voltage	: 1.2V
Capacity	: Rated: 3800mAh Typical: 3820mAh When discharged at 760mA to 1.0V at 20°C
Charging Condition	: 380mA for 16hrs at 20°C
Charging Retention	: 50% of nominal capacity after cell storage at 20°C for 12 months When discharged at 760mA to 1.0V at 20°C
Fast Charge	: 1900mA to 3800mA(0.5 to 1C) charge termination control recommended control parameters: - ΔV : 0-5mV DT/dt : 0.8°C/min(0.5 to 0.9C) 0.8 - 1°C/min(1C) TCO : 45-50°C Timer : 105% nominal input (for ref. only)
Service Life	: >500 cycles (IEC standard)
Continuous Overcharge	: 380mA maximum current for 1 year No conspicuous deformation and/or no leakage
Weight	: 53.5g
Internal Resistance	: Average 18 m Ω upon fully charged (Max.30 m Ω) at 1000Hz
Max. Charging Voltage	: 1.5V at 380mA charging
Ambient Temperature Range	: Standard Charging : 0 to 45°C Fast Charging : 10 to 45°C Discharging : -20 to 50°C Storage : -20 to 35°C Storage(1week) : -20 to 60°C

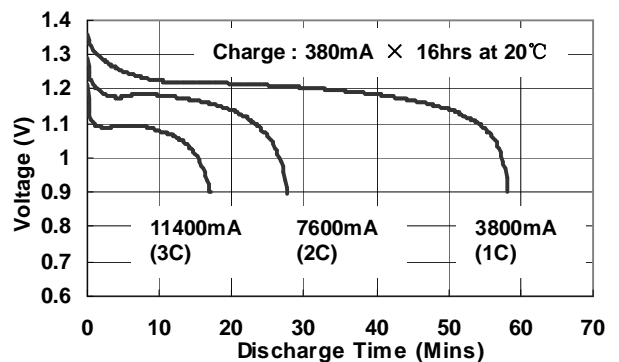
Model No.: GP380AFH



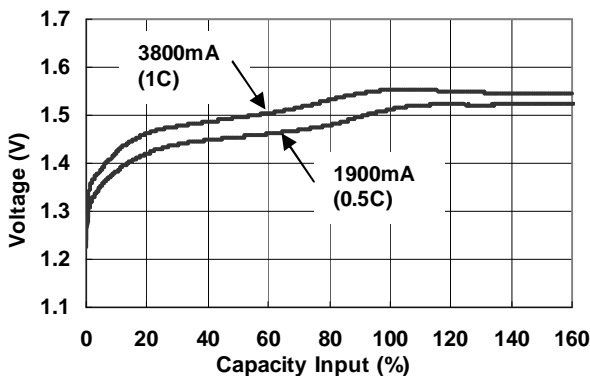
Low Rate Discharge



High Rate Discharge



Fast Charge (Charge Control Required)



The information (subject to change without prior notice) contained in this document is for reference only and should not be used as a basis for product guarantee or warranty. For applications other than those described here, please consult your nearest GP Sales and Marketing Office or Distributors.